

OHIO SCIENTIFIC

product name/number

RECEIVER
MODEL ~ 620 BUS EXPANDER

date 30 OCT 1978

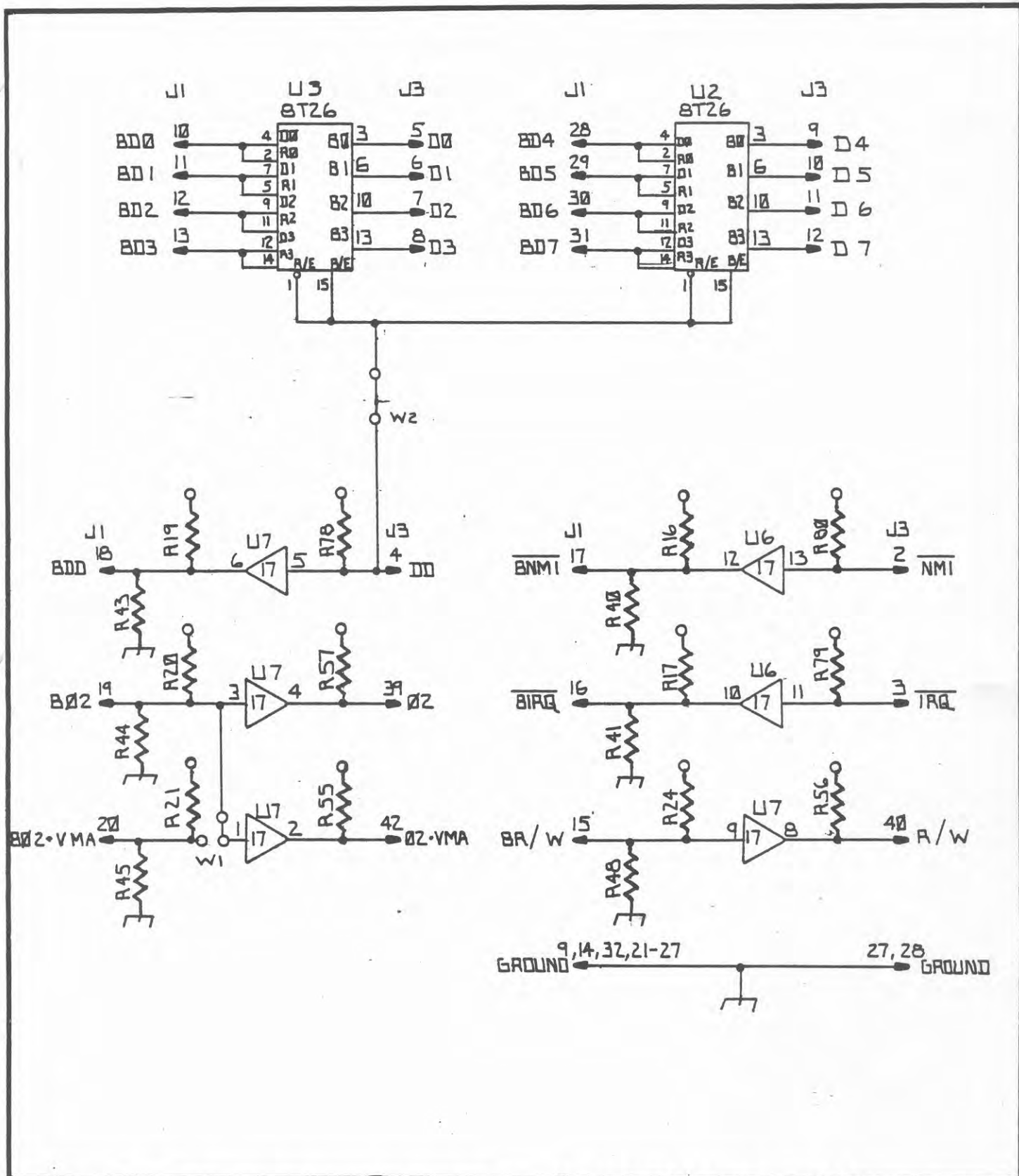
revision

page

status

sheet 1 of 3

DRAWN ~ J.L.K.



OHIO SCIENTIFIC

product name/number

RECEIVER
MODEL ~ 620 BUS EXPANDER

date 30 OCT 1978

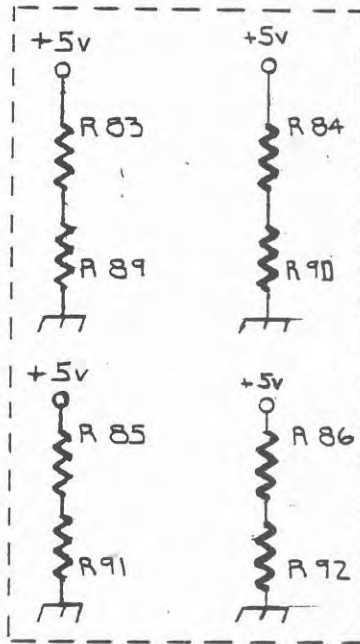
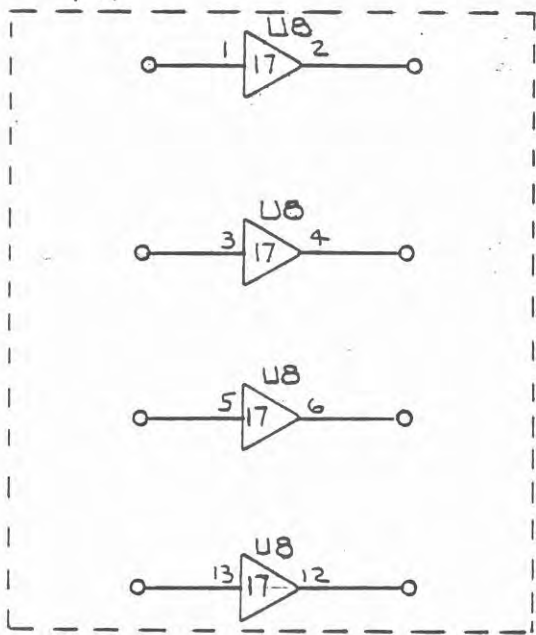
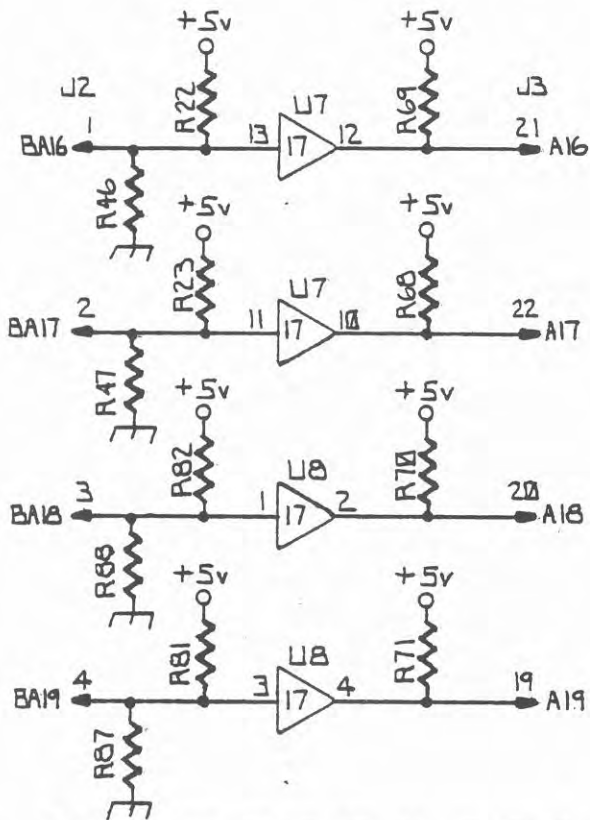
revision

page

status

sheet 2 of 3

DRAWN ~ JLK



ALL PARTS SHOWN INSIDE OF DASHED LINES ARE SPARES

OHIO SCIENTIFIC

product name/number
RECEIVER
MODEL ~ 620 BUS EXPANDER

date 30 OCT 1978
DRAWN ~ JLK

revision

page

status

sheet 3 of 3

RECEIVER PARTS LAYOUT

