

OHIO SCIENTIFIC

product name/number

MODEL 510 REV C
6502 CIRCUITRY

date 24 APR 1979

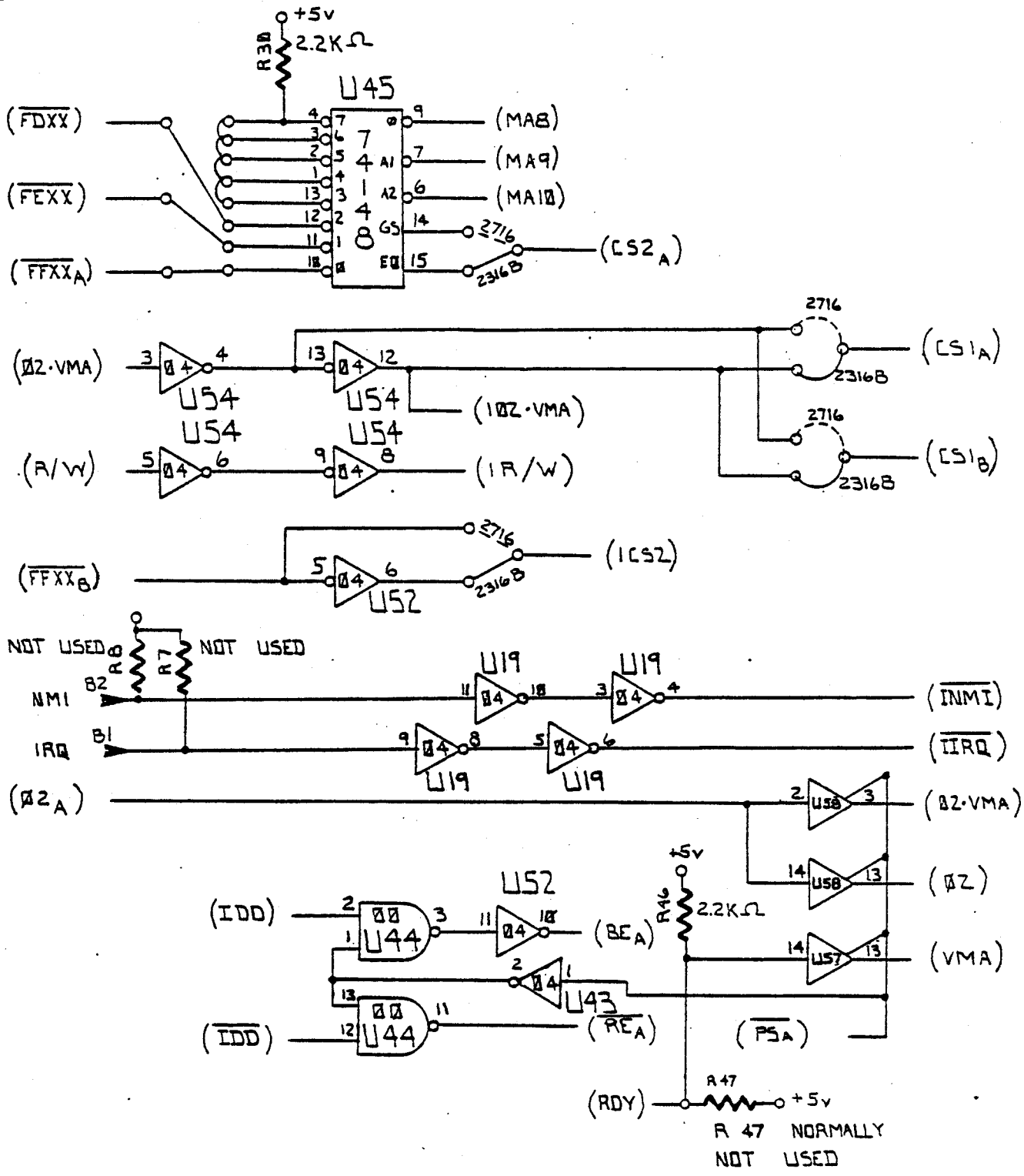
revision

page

status

sheet 1 of 11

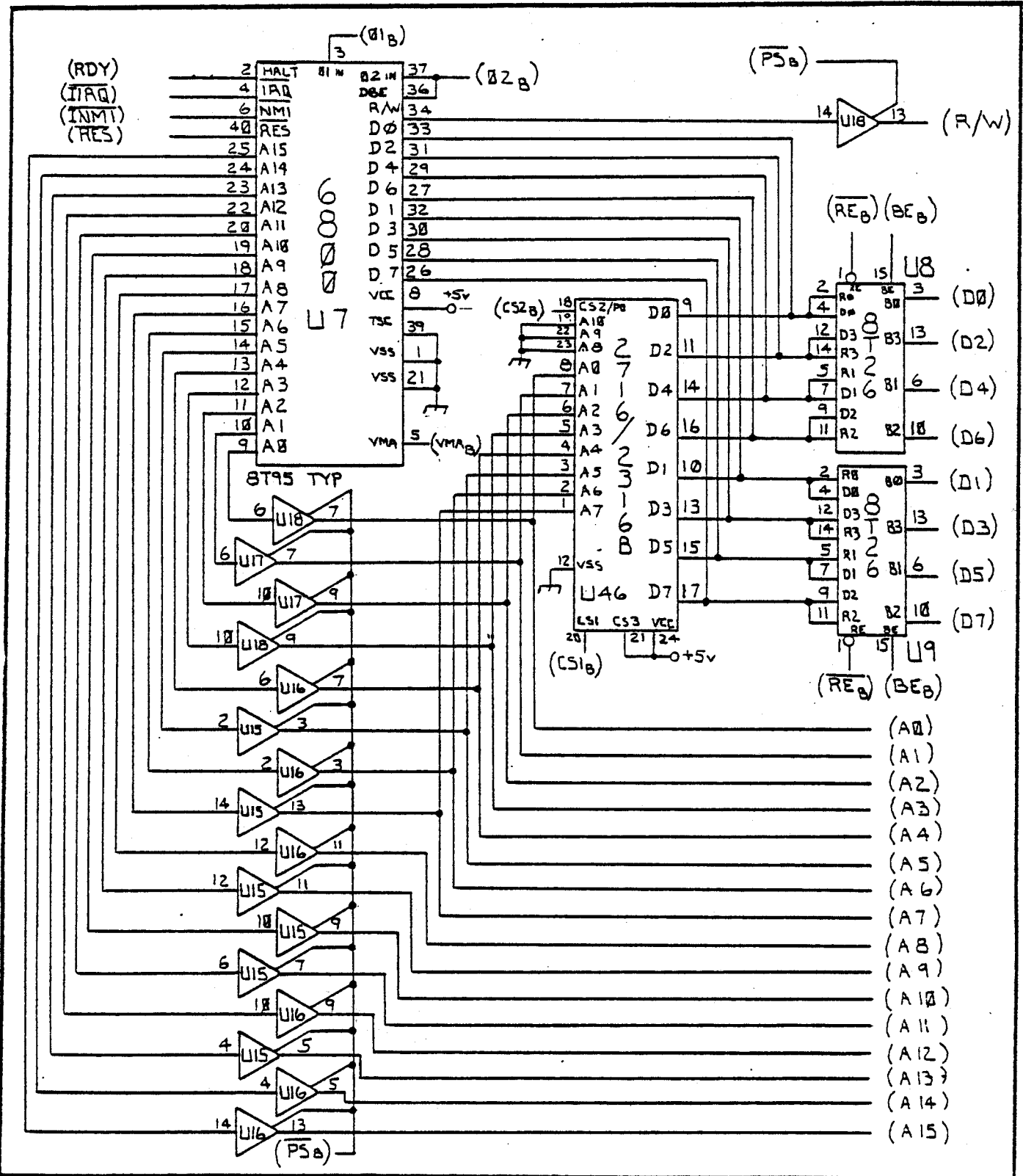
DRAWN ~ J.L.K.



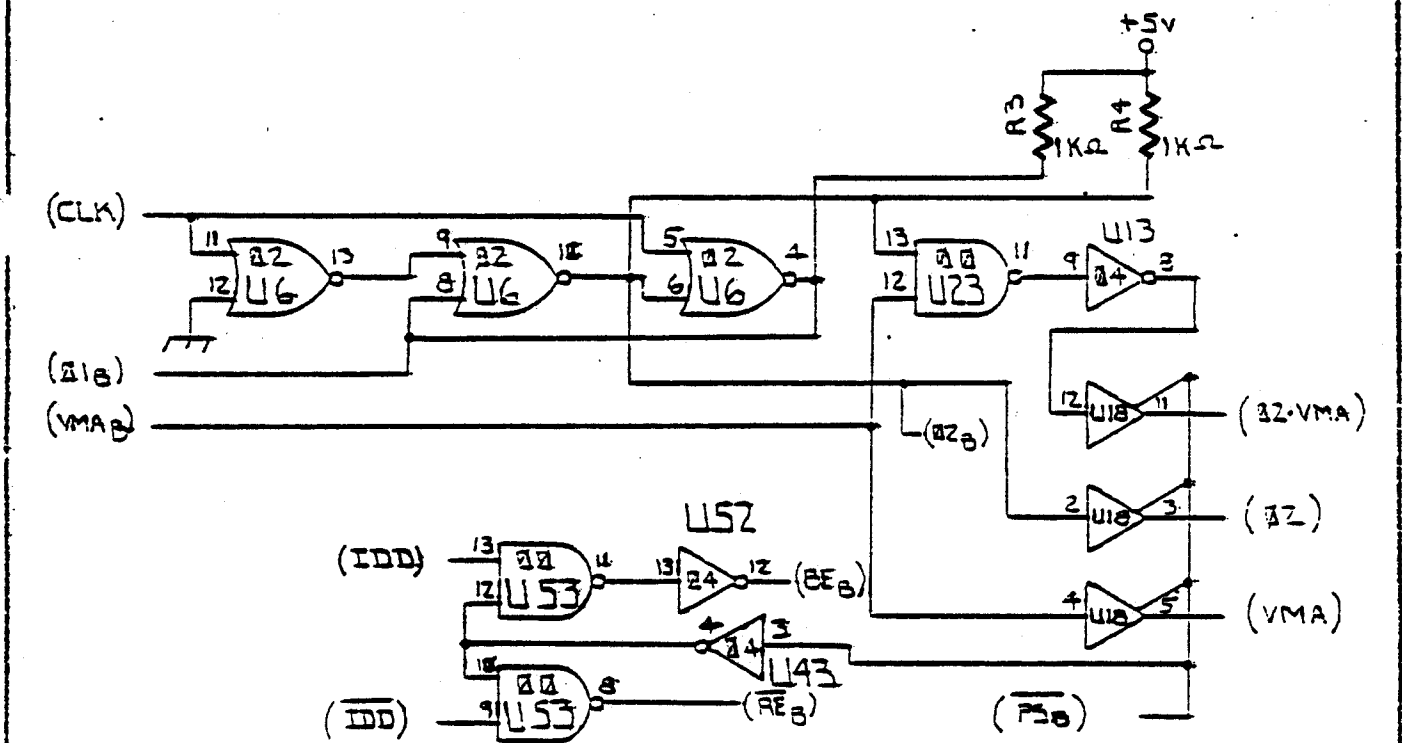
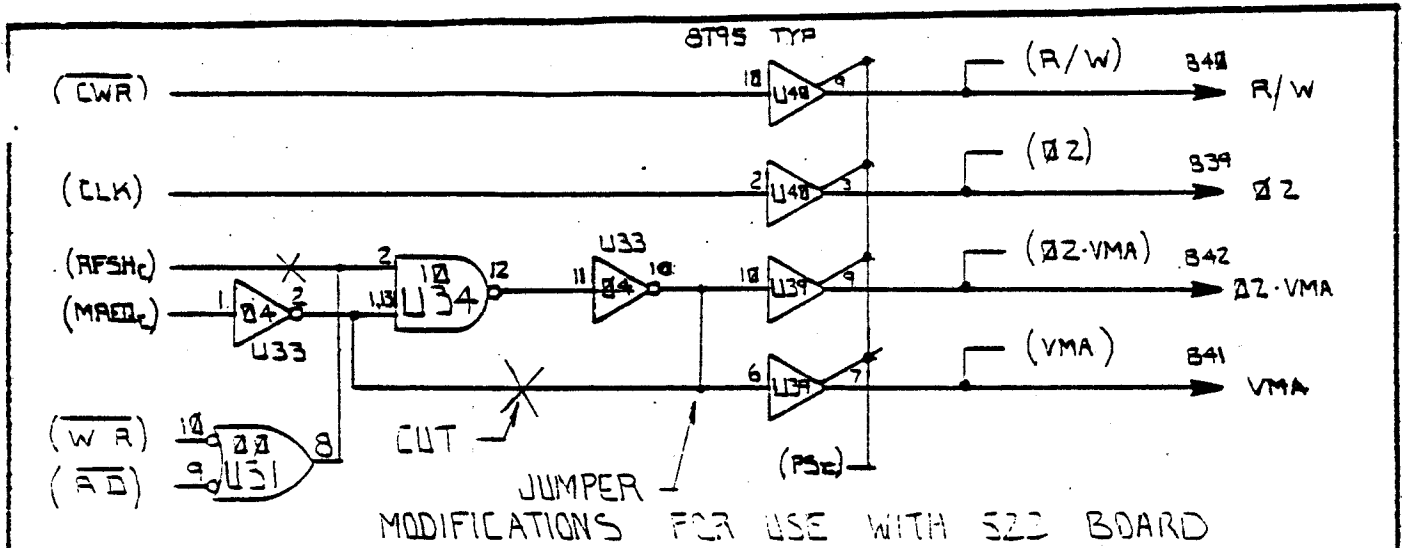
OHIO SCIENTIFIC

product name/number
MODEL 510 REV C

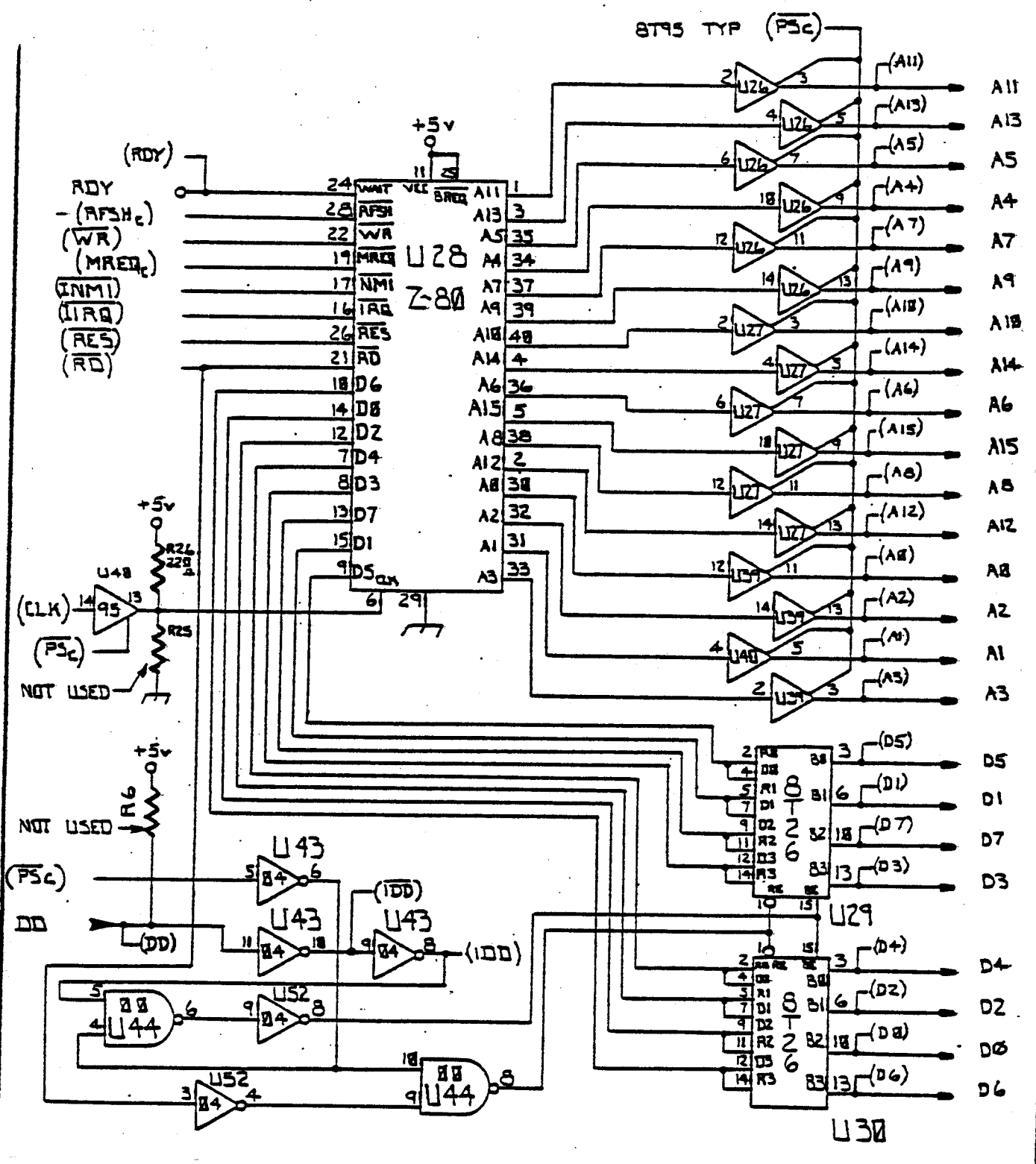
date 24 APR 1979	revision	page	status	sheet 2 of 11
DRAWN ~ J.L.K.				



OHIO SCIENTIFIC		product name/number	
		MODEL 510 REV C	
		6800 CIRCUITRY	
date 24 APR 1979	revision	page	status
			sheet 3 of 11
DRAWN ~ J.L.K.			



<h1>OHIO SCIENTIFIC</h1>			product name/number MODEL 510 REV C	
date 20 AUG 1980 DRAWN ~ J.L.K.	revision	page	status	sheet 4 of 11



OHIO SCIENTIFIC

product name/number
 MODEL 510 REV C
 Z-80 CIRCUITRY

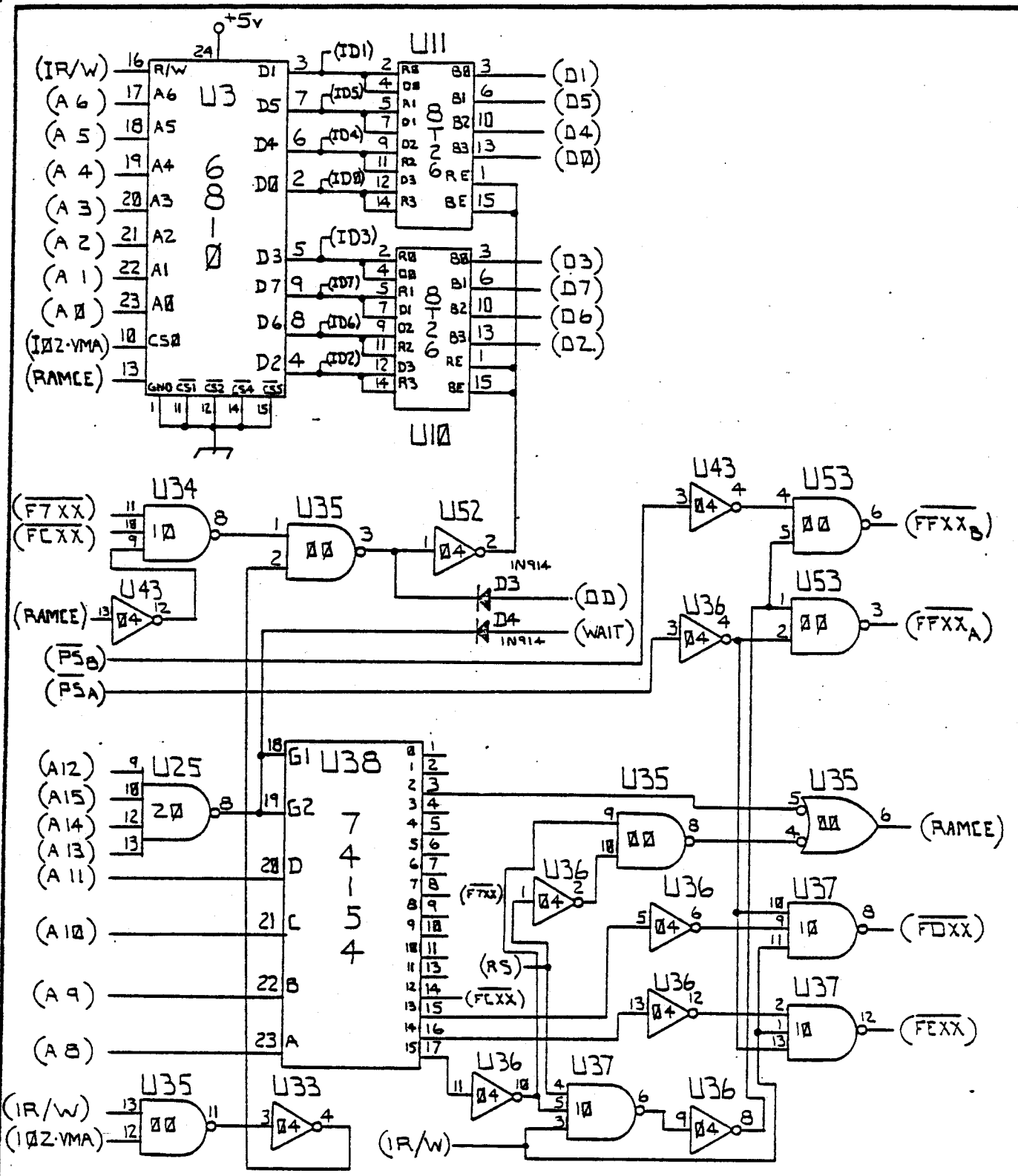
date
 29 OCT 1979
 DRAWN ~ J.L.K.

revision

page

status

sheet 5 of 11



OHIO SCIENTIFIC

product name/number

MODEL ~ 510 REV C

ADDRESS DECODER

date 24 APR 1979

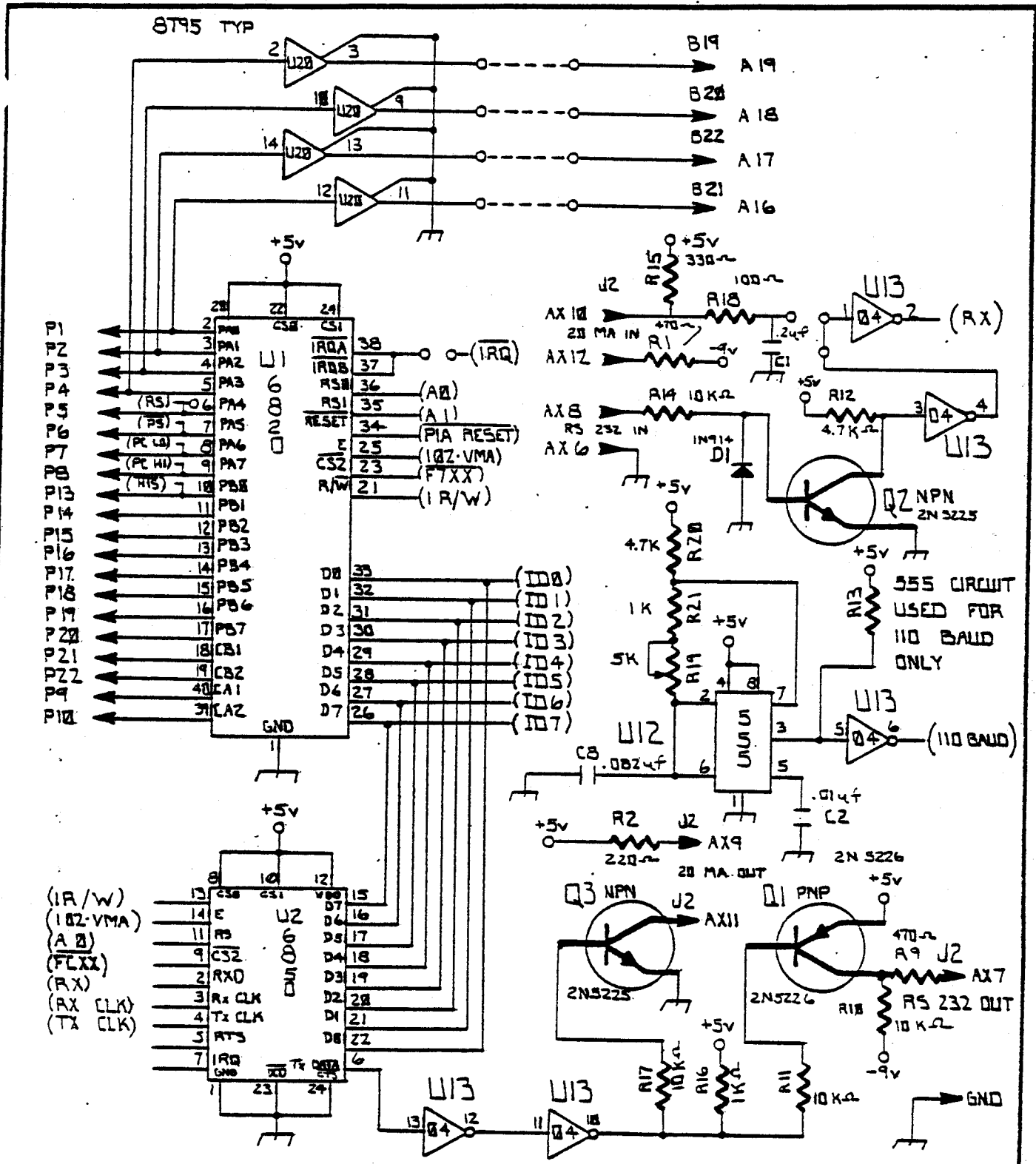
revision

page

status

sheet 6 of 11

DRAWN ~ J.L.K.



OHIO SCIENTIFIC

product name/number
 MODEL 510 REV C
 PIA IMPLEMENTATION

date 29 NOV 1979

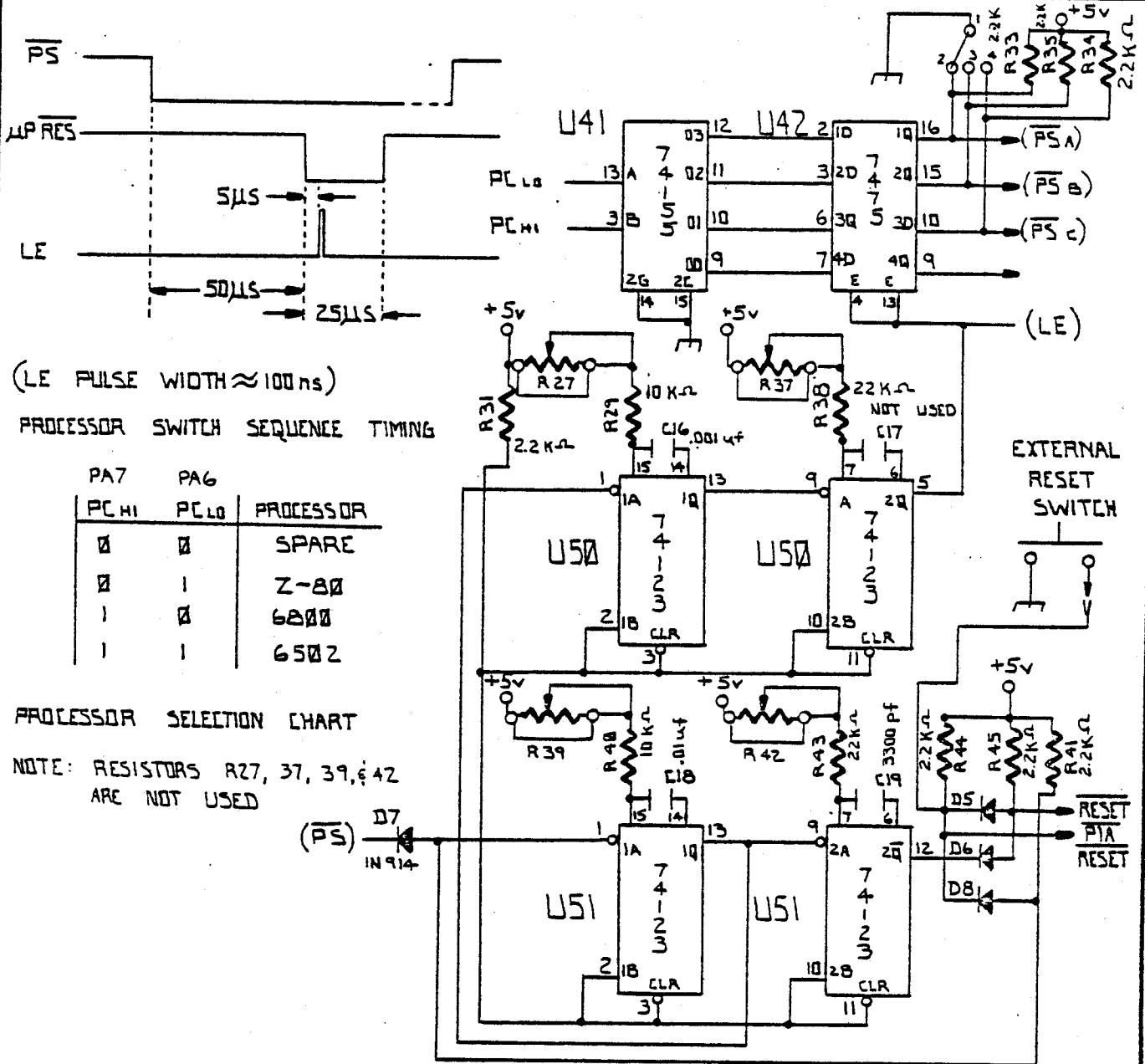
revision

page

status

sheet 7 of 11

DRAWN ~ J.L.K.



NOTES:

- FOR MANUAL PROCESSOR SWITCHING, USE SW-1 AND RESISTORS R33, 34, & 35 OMIT ALL OTHER PARTS ON THIS SCHEMATIC.
FOR SOFTWARE SWITCHING OMIT SW-1 AND RESISTOR R33, 34, & R35 USE ALL OTHER PARTS INCLUDING PIA.

OHIO SCIENTIFIC

product name/number

MODEL 510 REV C
PROCESSOR SWITCHING CIRCUITRY

date 24 APR 1979

revision

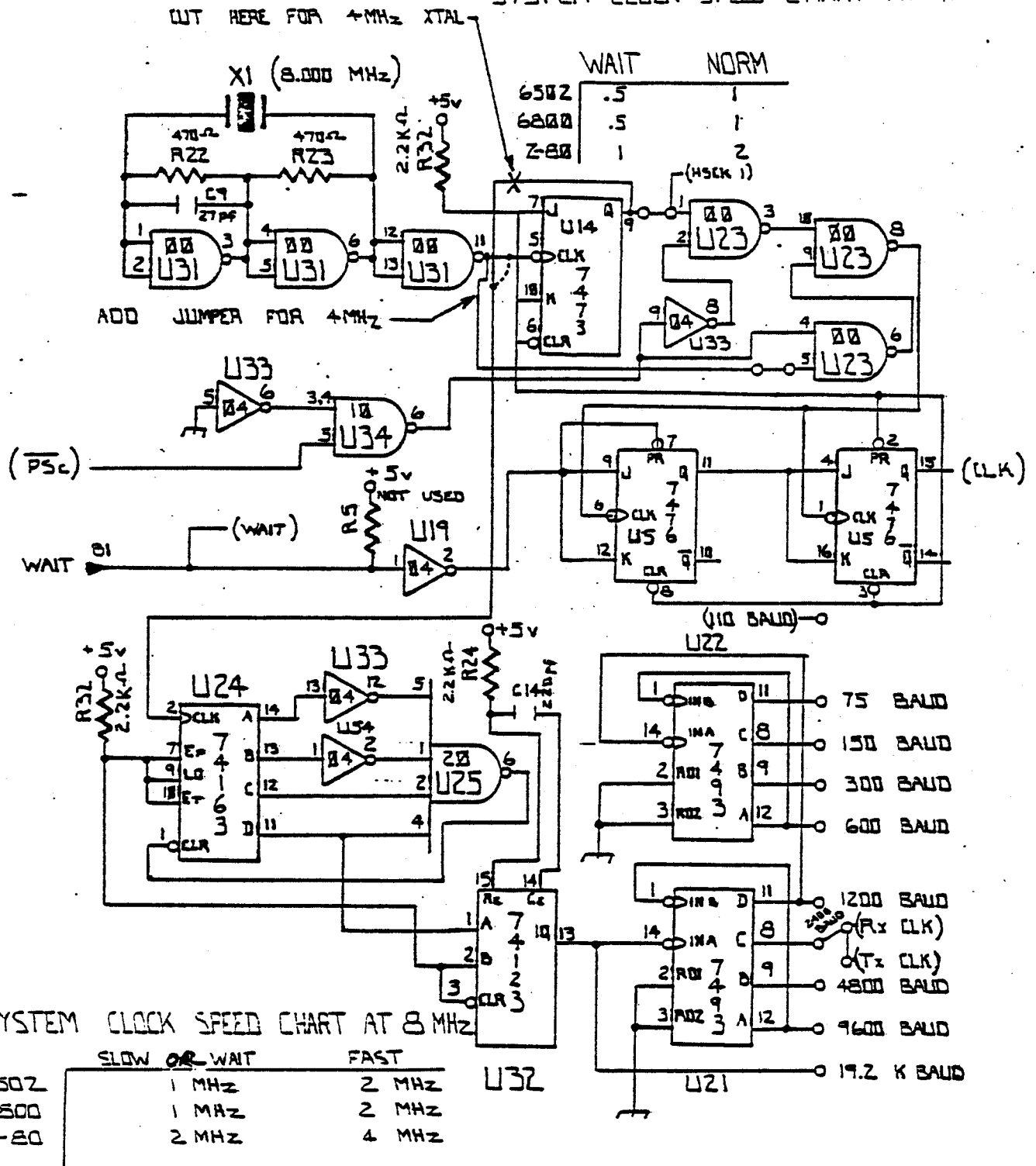
page

status

sheet 8 of 11

DRAWN ~ J.L.K.

SYSTEM CLOCK SPEED CHART AT 4 MHz



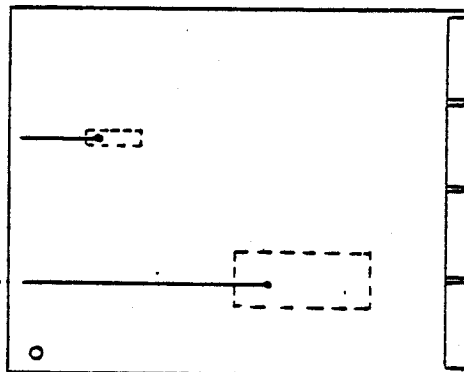
OHIO SCIENTIFIC

product name/number
MODEL ~ S10 REV C
SYSTEM CLOCK AND BAUD RATE GEN.

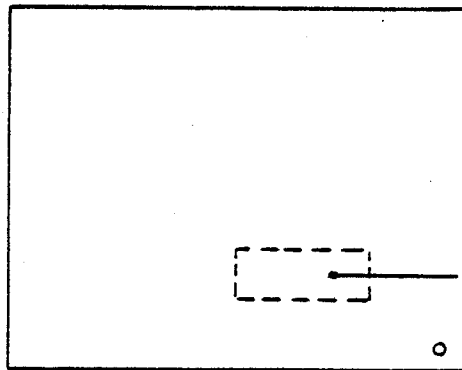
date 29 OCT 1979 DRAWN ~ J.L.K.	revision	page	status	sheet 9 of 11
---------------------------------------	----------	------	--------	---------------

BAUD RATE JUMPERS
SEE DETAIL ~ A

MONITOR ROM JUMPERS
SEE DETAIL ~ B



FRONT VIEW OF S10 BOARD



MONITOR ROM JUMPERS
SEE DETAIL ~ C

REAR VIEW OF S10 BOARD

OHIO SCIENTIFIC

product name/number

MODEL S10 REV L
JUMPER DETAILS

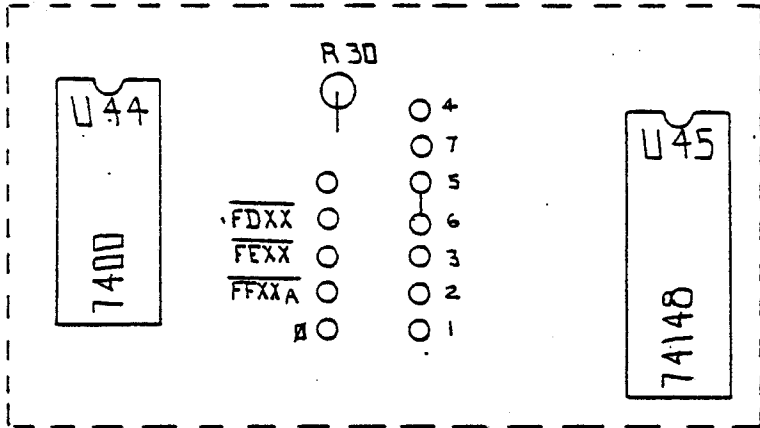
date 24 APR 79

revision

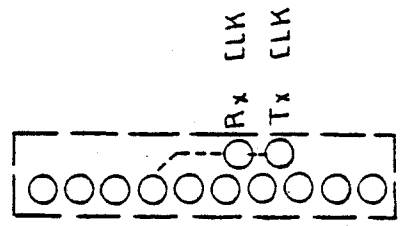
page

status

sheet 10 of 11



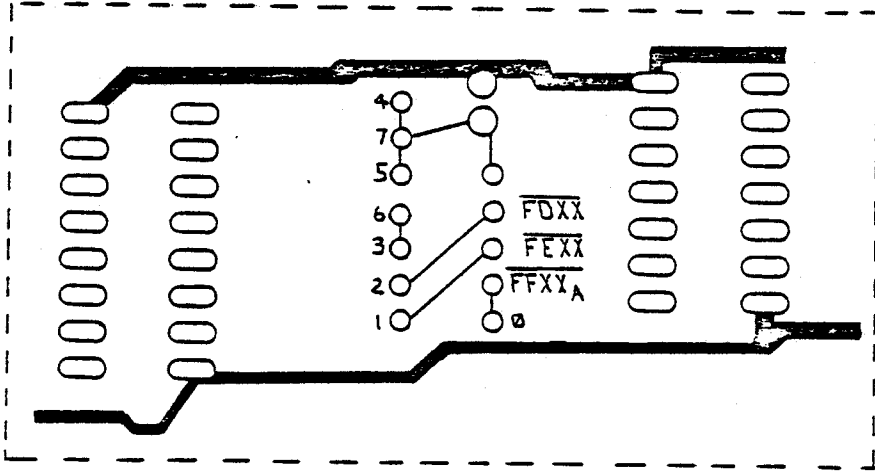
DETAIL ~ B
FRONT OF 510 BOARD
MONITOR ROM JUMPERS



19.2 K	9600	4800	2400	1200	600	300	150	110	75
BAUD	BAUD	BAUD	BAUD	BAUD	BAUD	BAUD	BAUD	BAUD	BAUD

DETAIL ~ A
FRONT OF 510 BOARD
BAUD RATE JUMPERS

DASHED LINE INDICATES
FOIL TRACE ON REAR
OF BOARD



DETAIL ~ C
REAR OF 510 BOARD
MONITOR ROM JUMPERS

OHIO SCIENTIFIC

product name/number

MODEL 510 REV C
JUMPER DETAILS

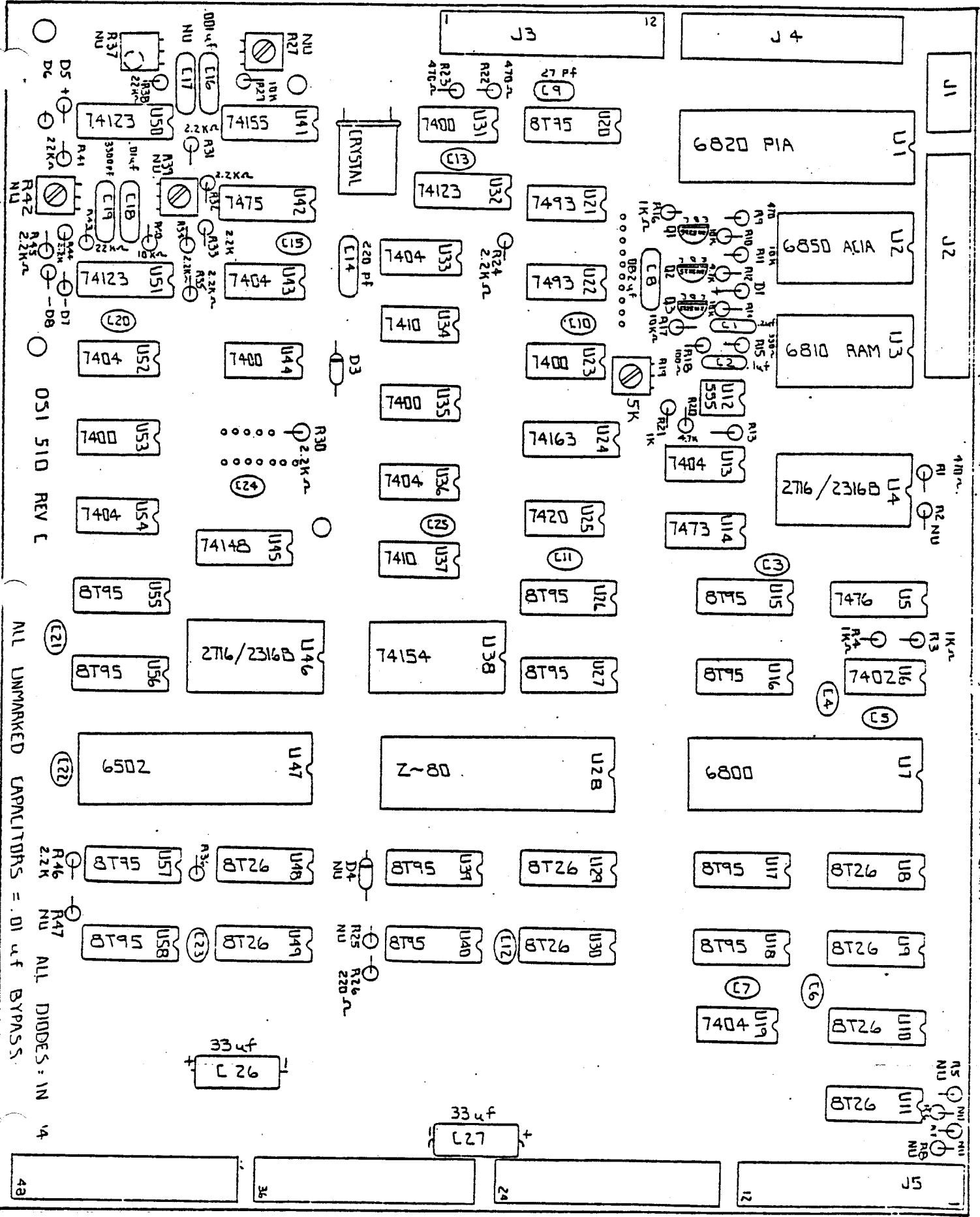
date 24 APR 79

revision

page

status

sheet 11 of 11



ALL UNMARKED CAPACITORS = 01 uF BYPASS.

NU = N01 U-411

051 510 REV C